



Find us locally at www.dynapac.com

We reserve the right to change specifications without notice. Photos and illustrations do not always show standard versions of machines. The above information is a general description only, all informations are supplied without liability.



Technical Data

Material hopper

Capacity	10.5 t
Hopper width, internal	3040 mm
Dumping height, center	520 mm

Conveyor

Conveyor control	Proportional speed control, Both sides driven independently, Reversible
Conveyor type	Dual bar feeder
Conveyor width	700 mm

Engine

Manufacturer/Model	Deutz TD 2.9 L4
Rated power	55.4 kw /54 kw @2200 rpm
Emissions according to	Stage V /Tier 3
Electrical system	24 V
Fuel tank capacity	86 l

Auger

Auger control	Proportional speed control, Both side driven independently
Auger diameter	320 mm
Auger height adjustment	200 mm

Masses

Mass (incl. standard screed)	10.3 t
------------------------------	--------

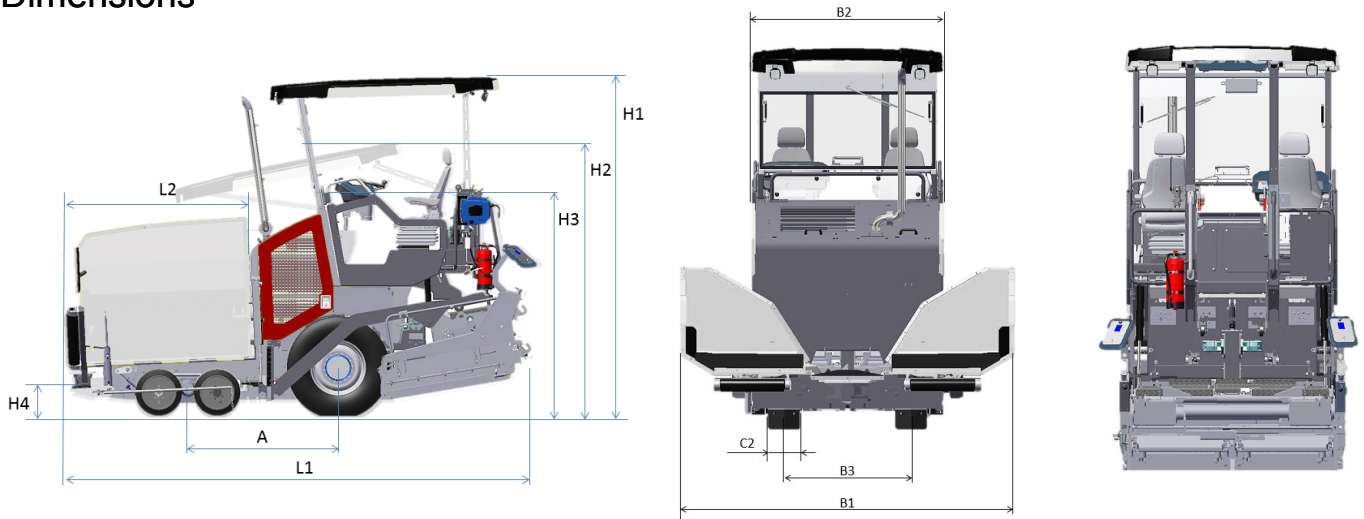
Dimensions

Working width, hydraulic extendable	3.50 m
Working width, maximum (incl. extension boxes)	4.70 m
Working width, minimum (with reducing shoe)	0.70 m
Front ramp angle	15°
Rear ramp angle	13°

Capacity

Placement thickness (max)	200 mm
Placement thickness, min/max	-120 /200 mm
Theoretical placement capacity	350 t/h

Dimensions



A. Wheelbase	1.60 m
B1. Width, max.	3.15 m
B2. Width, standard	1.80 m
B3. Width, center of wheels	1.45 m
H1. Height, max.	3.60 m
H2. Height, transport	2.92 m
H3. Height	2.40 m
H4. Dumping height	0.50 m
L1. Length	4.99 m
L2. Length, hopper	1.99 m