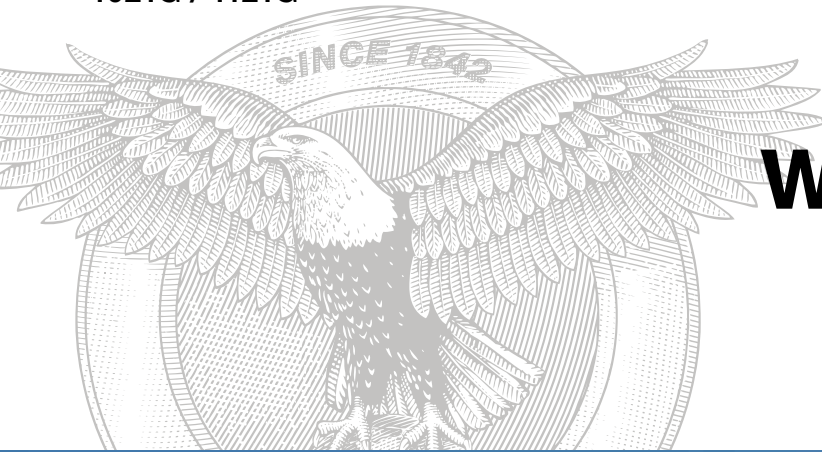


521G / 621G
721G / 821G / 921G
1021G / 1121G

CASE
CONSTRUCTION



WHEEL LOADERS

G-Series Evolution
Stage V



ACROSS HISTORY



1842

CASE is founded.

1869

The first CASE portable steam engine - road construction is born!

1958

The first CASE 4-WD wheel loader, the W9, is introduced.

1969

CASE begins skid steer loader production.

1998

CASE Wheel Loaders run FPT engines, leaders in industrial engine technology.

2001

The exclusive mid-mounted Cooling Cube in CASE wheel loaders means clean engine, reliability and massive bucket payloads.

2011

CASE is the first in the industry to launch a 5-speed lock up transmission.

2012

CASE completes its EU Stage IIIB wheel loader range: a further step forward in emissions reduction and once again the first in the industry.

2015

CASE wheel loaders achieve EU Stage IV emissions standards while further

increasing fuel efficiency without a DPF.

2017

New G series wheel loaders are launched, winning the prestigious Good Design® Award.

2020

CASE begins introducing Stage V models in Europe, still without traditional DPF.

2021

The G series "EVOLUTION" wheel loaders are launched, featuring new connected services, thanks to the CASE SiteConnect module, to enhance the machine's Productivity, Reliability and Profitability.

YOUR BUSINESS PARTNER CONTINUES TO IMPROVE

CASE G-SERIES EVOLUTION WHEEL LOADERS

Since their launch in 2017 the CASE G-Series wheel loaders have been very popular for the excellent performance in terms of **productivity, comfort**, fuel consumption and **low operating costs**.

Exclusive engine technology provided by our sister company FPT Industrial, makes these wheel loaders a highly efficient product, able to overcome the most difficult operating conditions.

All CASE G-Series wheel loaders are equipped with best-in-class engine, transmission, axles, differentials and hydraulic components.

The cab provides the operator with outstanding comfort and visibility.

These wheel loaders are champions of productivity thanks to the optimal weight distribution resulting in a tipping load at the top of each machine's range, for the maximum productivity.

The cooling system's innovative "cube" design ensures the best cooling efficiency if compared to the overlapping radiators in conventional design: all the coolers are simultaneously crossed by the same air flow at the same temperature for increased reliability, preventing overheating failures on engine, transmission and hydraulics.

All these advantages make our wheel loaders favorites on jobsites around the world.

Now it's time to enhance your experience even more with the NEW FEATURES of the G-SERIES EVOLUTION WHEEL LOADERS!



G-SERIES EVOLUTION

NEW DRIVING EXPERIENCE



NEW TOUCHSCREEN DISPLAY

All functions at your fingertip

The new Touchscreen Display allows the operator to get the full control of all the machine functions and setting, with additional new features specifically designed to enhance the driver's experience.

New features:

- + Digital Operator's Manual
- + Electro-hydraulic controls adjustability settings
- + New Power Modes
- + Follow-me Home Lights improvements

Easy and intuitive navigation.

- + Touchscreen 'Tap' and 'Scroll' functions, similar to automotive display technology
- + New Configurable Buttons (Machine Settings)

Standard on all units.



Digital Operator's Manual



New Configurable Buttons Settings



NEW CONFIGURABLE BUTTONS

Immediately enter your favorite screens

Three configurable buttons are located close to the loader control (both joystick and multi-levers version). On each button you can easily configure your most frequently used screens and make them immediately appear on the display just pressing the associated button.

No more wasting time to find the right screen within plenty of menus. Only one touch and what you want is already there!

Standard on all units.



Buttons are also replicated on the touchscreen display

G-SERIES EVOLUTION

MORE PRODUCTIVE, MORE PROFITABLE



NEW INTEGRATED PAYLOAD

Keep your production under full control

The new G-Series Evolution wheel loaders offer today the new integrated payload scale, a powerful tool, based on CASE proprietary design, accessible in the new touchscreen monitor.

By the new integrated payload scale, you can read and log every single bucketload. You can also optimize every job report by identifying it with a complete set of data (the job ticket) like, customer name, your company name and address, the truck ID, the truck target load and every other data necessary to provide full information for every ticket you will close during the day.

Data can be directly transmitted to your desk via telematics through the SiteWatch™ portal

The system is able to indicate if the last bucket is exceeding the target load previously set and, in this case, the **“tip-off” mode** can be activated, helping the operator to partially discharge the contents in the bucket until the target load is achieved, **expediting the loading operation with no wasting time** in re-adjusting the truck load before leaving the loading facility

+ More Productivity!

+ More Profitability!

Optional on request.



NEW PARALLEL LIFT FUNCTION

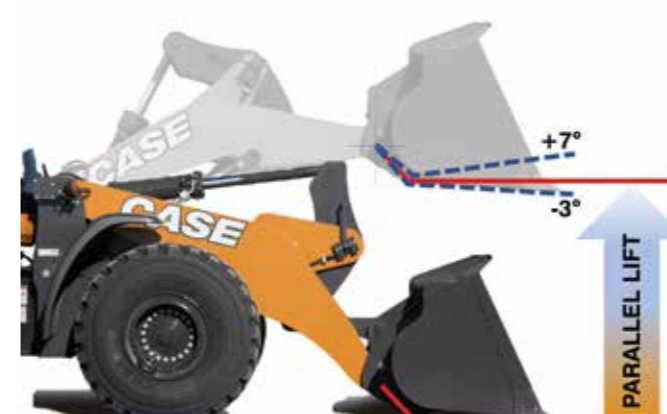
What about having 2 machines in 1?

Need **more versatility** from your machine? Does your project require a material handling and a loading equipment at the same time?

The New G-Series Wheel Loaders provide a smart solution: just press a button on your keypad and a Z-Bar or XR linkage will behave as an XT linkage, thanks to the electro-hydraulic controls governed by a software able to perform angle compensation during the lifting operation.

The fork shank or the bottom of the bucket will remain parallel to the ground from the lowest to the highest boom position with $-3^\circ / +7^\circ$ angular tolerances.

Standard on all units.



G-SERIES EVOLUTION

MORE RELIABLE, MORE PROFITABLE



NEW TIRE PRESSURE MONITORING SYSTEM (TPMS)

Optimize tires wear and extend their life.

Tires on a wheel loader are crucial to get the best performance from the machine.

Keeping the tires pressure constantly under control allows to significantly **extend the tire's lifecycle, improve the overall machine reliability and reduce the operating costs.**

Now this is possible directly from the display on the New CASE G-Series Evolution Wheel Loaders.

+ More reliability!

Optional on request.



EXTENDED SERVICE INTERVALS

Save 20% on total maintenance costs!

The regular maintenance becomes even easier than before and much more economically convenient, thanks to the extended service intervals implemented on the CASE G-Series Evolution Wheel Loaders. **Increased machine uptime** thanks to reduced stops for servicing.

+ More profitability!



MAINTENANCE ITEM	OLD SERVICE INTERVAL	NEW SERVICE INTERVAL
Engine oil:	500 hrs	1000 hrs
Engine fuel filter	500 hrs	1000 hrs
Engine oil filter	500 hrs	1000 hrs
Water Separator filter	500 hrs	1000 hrs
Radiator coolant	2000 hrs	6000 hrs
DEF tank vent filter	500 hrs	1000 hrs
STD Hydraulic oil	2000 hrs	4000 hrs
Cold weather oil	2000 hrs	3000 hrs
Hydraulic oil filter	1000 hrs	2000 hrs
Transmission oil	1500 hrs	2000 hrs
Transmission oil filter	1500 hrs	2000 hrs

PERSONAL ASSISTANT FOR FLEET MANAGEMENT



THE SCIENCE BIT

CASE SiteWatch™ uses the high-tech CASE SiteConnect module mounted on each machine to collect information from that machine and from GPS satellites. This data is then sent wirelessly through the mobile communication networks to the CASE SiteWatch™ Portal.

SITELATCH™: CENTRALISED FLEET CONTROL BENEFITS AT YOUR FINGERTIPS

Payload reports **NEW!**

- + Real time payload reports available. When the operator closes a load cycle using the integrated payload functions on the touchscreen display, the ticket details are immediately recorded in SiteWatch™, ready to be recalled as a report and exported whenever needed.
- + Ease your administration and back-office activities, having payload data always available on SiteWatch™ Portal, improving the overall productivity within your business.

Optimize your fleet performance

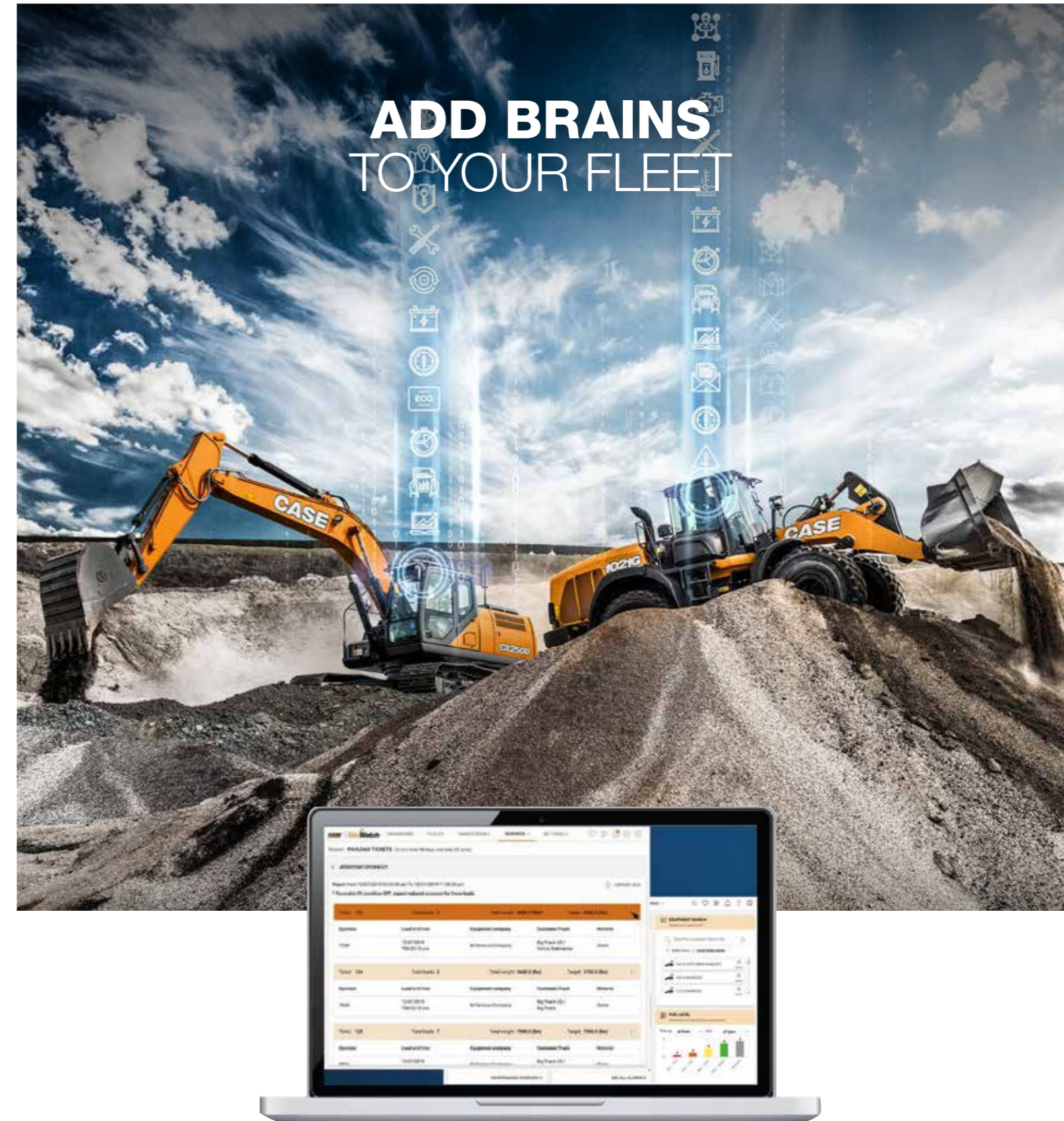
- + Eliminate inefficiencies and low equipment utilization: SiteWatch™ allows to identify spare units or under loaded machines on each site.
- + Insights regarding the machine usage allow you to make real time interventions to reduce fuel consumption and better performance optimization.
- + Thanks to the service reminder, maintenance in due time is easier since the actualized working hours are always available.
- + Extend the benefits of SiteWatch™ to the rest of your fleet: SiteWatch™ can be installed on units of other brands as well.

Challenge your Total Cost of Ownership!

- + Being able to compare the fuel usage of different machine types will allow you choose the right equipment.
- + Increased uptime by better planning each grouped maintenance tasks.
- + Be able to compare your asset Return on Investment on different sites.
- + Thanks to Curfew setting, your equipment is used only during working hours. You can set up alerts so that you know if the machine is in use during the weekend or at night or outside the timeframe you set.

More safety, lower insurance premium

- + Geo-fencing curfew: an effective dissuasion from attacking your asset because it is geo-localized.
- + SiteWatch™ is hidden so that thieves can't find it quickly.
- + Your fleet is used only where you decide. You can define a virtual fence and receive an alert email when a machine exits that perimeter.



CASE EXPERT SUPPORT ALWAYS WITH YOU



SITECONNECT: PROACTIVE SUPPORT AND REMOTE ASSISTANCE

The SiteConnect module allows to establish a 2-way communication between your machine and your CASE Dealer. They will be able to run remote diagnostics and analyze the machine data before travelling to the unit.

Maximize your machine's uptime

- + Save time as your dealer conducts remote assistance to the operator. The machine can be anywhere while the dealer remotely connects with the machine to do diagnostics.
- + The dealer is supporting you with SiteConnect tools to maximize the uptime for your machine

Optimize service efficiency

- + By enabling your dealer to investigate your asset remotely, allows them to resolve issues in the shortest possible time, in a single visit, with the correct parts and tools.
- + Electronic control units installed on the machine may be subject to software updates: With the SiteConnect module your CASE Dealer will be able to do software updates on your machine remotely
- + Increase uptime, reduce costs!

Lower your Total Cost of Ownership

- + Thanks to the data collected about your machine condition and performance by Siteconnect, your CASE dealer can provide a quick and effective service, when you need it. This gives you increased Uptime.

Productive. Reliable. Profitable. The Total Package. New G Series







Download App



SiteManager

Download the SiteManager app to enable remote access to your equipment directly from Dealer facilities, always under your permission. A sticker with a SiteConnect QR code is placed on the right cab pillar. Scan the QR code with your mobile device to quickly access the SiteConnect page, where you can easily download the SiteManager App and get more useful contents.

MAIN REASONS TO CHOOSE THE NEW G-SERIES

MORE PRODUCTIVITY

- + Up to 38% payload-to-weight ratio
- + Best-in-class break-out force
- + Electro-hydraulic parallel-lift function **NEW**
- + Integrated Payload scale with real time data transfer on SiteWatch portal **NEW**

INTEGRATED PAYLOAD SCALE **NEW**

- + Payload weighting system integrated into the touchscreen display
- + Target load, Tip-off function, Open/close ticket
- + Real time data transfer on SiteWatch™ portal, directly on your backoffice desk

PARALLEL LIFT FUNCTION **NEW**

- + Use the electro-hydraulic system to emulate a parallel lift on a Z-Bar or XR linkage

MORE RELIABILITY

- + Heavy Duty Axles
- + 100% front differential lock
- + Best-in-class cooling system with cube layout

SUPERIOR COMFORT

- + Seat mounted console
- + Configurable buttons to quickly recall on the display the most frequently used screens **NEW**
- + Touchscreen display with additional menus **NEW**
- + Hands-free calling kit
- + Multiple storage areas
- + Active suspension Premium seat
- + Rubber steering stops on frame articulation **NEW**

MORE PROFITABILITY

- + Extended service intervals at 1000 hours and multiples. Total maintenance costs reduced at least by 20% **NEW**
- + Integrated Tire Pressure Monitoring System (TPMS) To optimize tire's wear and extend the tire's lifecycle **NEW**

HIGH EFFICIENCY

- + Optimized combustion efficiency with Hi-eSCR2
- + Optimized power transmission with 5-speed gearbox and converter lock-up (621G-921G)
- + Smart power mode to automatically select the most suitable combination of engine power curve and transmission gear shifting threshold **NEW**

ENHANCED CONNECTIVITY DRIVEN BY THE CASE UPTIME CENTRE

- + Specific CASE dealer alerts, along with a set of recommendations and actions, provide you an accurate and fast service, when you need it most.
- + Payload ticket reports now available on SiteWatch™ portal. **NEW**
- + Enhanced machine utilisation reporting **NEW**
- + Remote assistance: diagnosis and software update now possible remotely, enabled by the operator through CASE SiteManager app **NEW**

BEST-IN-CLASS VISIBILITY

- + One-piece design windshield, high efficiency lighting, rear-view camera provides optimum visibility 24 hours a day.
- + Follow-me-home LED lights with customizable lights-on duration **NEW**



521G - 921G

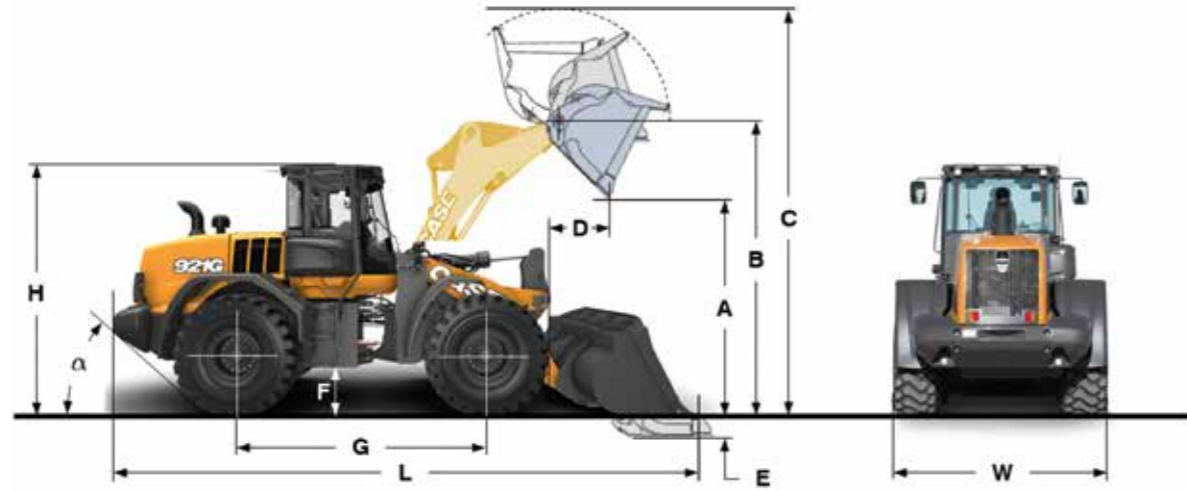
MAIN SPECIFICATIONS

ENGINE		521G	621G	721G	821G	921G
Maker & Model		FPT N45	FPT N67	FPT N67	FPT N67	FPT N67
No. of cylinders		4	6	6	6	6
Displacement	l	4.5	6.7	6.7	6.7	6.7
Air intake	Turbocharger with air-to-air cooling. No EGR valve is used: only fresh air is taken for combustion and no extra cooling system is needed.					
Injection	m	Common Rail Multiple Injection.				
After Treatment System	m	HI-eSCR 2 (DOC+SCRoF)				
Emissions Level	m	Compliant with EU Stage V				
Maximum power	kW	106	128	145	172	190
Maximum power	hp	142	172	195	230	255
@ Engine speed (ISO 14396)	rpm	1800	1800	2000	1800	1600
Maximum Torque	Nm	608	730	950	1184	1300
@ Engine speed (ISO 14396)	rpm	1600	1600	1300	1300	1300
TRANSMISSION						
ProShift: 5-speed powershift with lock up (optional). Lock up clutch eliminates torque converter losses from second gear up to fifth gear. Intelligent Clutch Cut Off (ICCO) with Power Inch: Proportional declutching.						
Forward 1	km/h	-	7	7	7	6
Forward 2	km/h	-	13	13	11	11
Forward 3	km/h	-	20	19	17	17
Forward 4	km/h	-	31	30	26	26
Forward 5	km/h	-	45	40	40	40
Reverse 1	km/h	-	7	8	7	7
Reverse 2	km/h	-	14	14	12	12
Reverse 3	km/h	-	32	31	28	28
4-speed ZF Powershift with Intelligent Clutch Cut Off (ICCO)						
Forward 1	km/h	6	7	8	7	7
Forward 2	km/h	11	13	13	12	12
Forward 3	km/h	22	24	25	23	23
Forward 4	km/h	36	39	37	37	36
Reverse 1	km/h	6	7	8	7	7
Reverse 2	km/h	12	14	13	13	13
Reverse 3	km/h	23	25	26	25	25
AXLES						
Rear axle oscillation	°	24	24	24	24	24
Heavy Duty ZF Axles	with open differentials and automatic 100% lock system on the front differential. 100% tractive effort always, no wheel slip, less tire wear.					
Standard ZF Axles	with limited slip differentials front and rear 73% tractive effort on slippery ground.					
TIRES						
Standard tire's size		17.5R25	20.5R25	20.5R25	23.5R25	23.5R25

BRAKES		521G	621G	721G	821G	921G
Service brake	°	Maintenance free, self-adjusting wet 4-wheel disc brakes.				
Service brake disc area	m ² /hub	0.39	0.39	0.39	0.39	0.47
Parking brake	With the negative brake all four wheels are automatically stopped when the engine is stopped.					
Parking brake disc area	cm ²	58	58	82	82	82
HYDRAULICS						
Loader control valve	Bosch-Rexroth, closed center, load sensing/flow sharing.					
Steering	Steering cylinders actuated by hydraulic orbitrol under priority valve, controlled, in turn, by active load sensing signal.					
Loader controls	Pilot with proportional solenoid valves controlled by electro-hydraulic single joystick or single-axis 2/3 levers.					
Pump type	Single, variable displacement			Tandem. var. displ.		
Max oil flow	l/min	134	169	206	236	278
@ engine speed	rpm	2000	2000	2000	2000	2000
AUXILIARY HYDRAULIC CIRCUIT						
Max oil flow	l/min	134	169	206	236	278
Max pressure	bar	249-255	249-255	249-255	249-255	249-255
FLUIDS CAPACITIES						
Fuel tank	l	189	248	246	288	288
DEF (AdBlue®) tank	l	41.3	41.3	41.3	41.3	41.3
Engine coolant	l	22	27	28	30	30
Engine oil	l	12	13	13	13	13
Hydraulic oil tank	l	57	91	91	91	91
Total hydraulic system oil	l	114	148	180	180	200
Front and rear axles	l	22+22	22+22	35+35	40+40	42+40
Transmission oil	l	19	27	34	34	34
CAB PROTECTION						
Protection against falling objects (FOPS)	According to ISO EN 3449 std.					
Protection against roll-over (ROPS)	According to ISO EN 13510 std.					
NOISE AND VIBRATIONS						
Inside the cab – LpA (ISO 6396-2008)	dB	68	68	68	68	69
Outside – LwA (2000/14/EC)	dB	102	104	103	104	104
Vibrations	Operator 's seat meets the criteria of ISO 7096:2000. The vibrations transmitted do not exceed 0.5 m/s ²					
ELECTRICAL SYSTEM						
System voltage	V	24	24	24	24	24
Batteries	dB	2 x 12 V	2 x 12 V	2 x 12 V	2 x 12 V	2 x 12 V
Alternator - capacity	A	70	120	120	120	120

521G - 921G

MAIN SPECIFICATIONS - Z-BAR



GENERAL DIMENSION		521G		621G		721G		821G		921G	
Bucket mount (with bolt-on cutting edge)		Direct	QC	Direct	QC	Direct	QC	Direct	Direct	Direct	Direct
Std GP Bucket Rated Capacity	m ³	2.1	1.8	2.4	2.0	2.8	2.7	3.4	3.2	4.0	3.6
Bucket Capacity at 110% Fill Factor	m ³	2.3	1.9	2.6	2.2	3.1	3.0	3.8	3.5	4.4	4.0
Bucket overall width	mm	2500	2440	2490	2490	2710	2690	2950	2950	2950	2950
Bucket weight	kg	850	1055	925	1375	1220	1705	1570	1540	1770	1650
A Dump height at 45° @ full boom height	mm	2610	2480	2750	2700	2920	2730	2940	2960	2870	2910
B Bucket hinge pin height	mm	3610	3610	3830	3830	3979	3980	4120	4120	4120	4120
C Overall height	mm	4740	4740	5040	5050	5320	5530	5490	5450	5730	5610
D Bucket reach at full boom height	mm	1110	1070	1080	1100	1120	1170	1160	1140	1050	1200
E Digging depth	mm	80	100	90	90	80	70	70	70	70	70
F Ground clearance	mm	340	340	390	390	380	380	420	420	430	430
G Wheel base	mm	2750	2750	2900	2900	3250	3250	3340	3340	3340	3340
H Cab roof height	mm	3270	3270	3380	3380	3380	3380	3460	3460	3460	3460
W Overall vehicle width (without bucket)	mm	2450	2450	2480	2480	2560	2560	2830	2830	2830	2830
L Overall length on ground (with bucket)	mm	6840	6930	7470	7630	7650	7840	8080	8050	8140	8210
Overall length on ground (w/o bucket)	mm	5770	5770	6280	6280	6530	6530	6780	6780	6780	6780
a Departure angle	°	30°	30°	25°	25°	29°	29°	29°	29°	29°	29°
Turning radius (at outer wheel)	mm	5000	5000	5220	5220	5750	5750	6030	6030	6030	6030
Turning radius (at bucket corner)	mm	5530	5530	5760	5750	6320	6410	6630	6620	6620	6640
Full steering angle	°	±40	±40	±40	±40	±40	±40	±40	±40	±40	±40
Bucket rollback @ boom carry position	°	44	50	45	50	44	38	45	45	45	45
Bucket dump @ maximum boom height	°	55	45	51	41	50	51	55	55	50	55

LOADER PERFORMANCE

		Direct	QC	Direct	QC	Direct	QC	Direct	Direct	Direct	Direct
Bucket mount (with bolt-on cutting edge)		Direct	QC	Direct	QC	Direct	QC	Direct	Direct	Direct	Direct
Machine operating weight (w/L3 tires)	kg	11100	11300	12850	13300	14770	15290	18200	18170	20550	20430
Tipping load, straight (rigid tires)	kg	8870	8530	10800	10270	12640	11040	14670	14700	17440	17490
Tipping load, full turn (rigid tires)	kg	7790	7470	9400	8880	10990	9530	12780	12810	15020	15080
Tipping load, straight (deflected tires)	kg	8229	7896	10030	9497	11741	10322	13620	13657	16246	16290
Tipping load, full turn (deflected tires)	kg	7053	6741	8481	7965	9528	8298	10983	11026	12982	13025
Bucket break-out force	daN	7453	6884	9905	9267	14318	11896	14749	15142	17377	16632

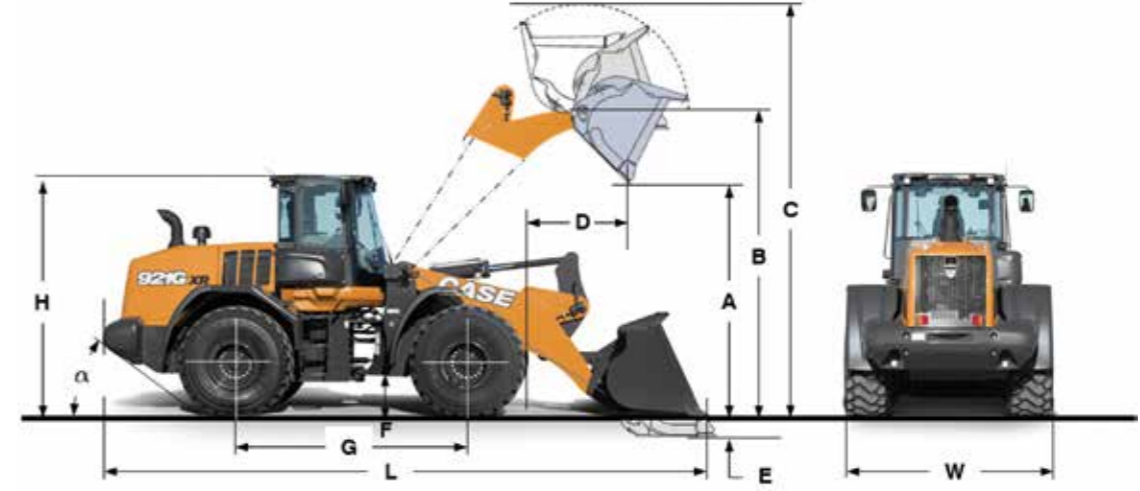
CYCLE TIMES

		521G	621G	721G	821G	921G
Lift (full load)	sec	5.4	5.4	6.3	6.3	5.2
Dump (full load)	sec	1.2	1.2	1.2	1.2	1.2
Lowering (empty, power down)	sec	3.9	3.9	4.4	4.4	2.5
Lowering (empty, float down)	sec	3.9	3.9	4.8	4.8	2.4

Notes: Data given with the following operating condition: Full fluids capacities; Operator on board; Tires: Michelin XHA2 L3 (Standard width); General purpose bucket. Data may be subject to changes without notices

521G - 921G

MAIN SPECIFICATIONS - XR



GENERAL DIMENSION		521G		621G		721G		821G		921G	
Bucket mount (with bolt-on cutting edge)		Direct	QC	Direct	QC	Direct	QC	Direct	Direct	Direct	Direct
Std GP Bucket Rated Capacity	m ³	1.9	1.8	2.2	2.0	2.8	2.7	3.2	2.8	3.6	3.1
Bucket Capacity at 110% Fill Factor	m ³	2.1	1.9	2.4	2.2	3.1	3.0	3.5	3.1	4.0	3.4
Bucket overall width	mm	2500	2440	2490	2490	2710	2690	2950	2950	2950	2950
Bucket weight	kg	815	1050	880	1375	1220	1705	1540	1390	1650	1525
A Dump height at 45° @ full boom height	mm	3040	2929	3260	3210	3330	3130	3390	3510	3330	3420
B Bucket hinge pin height	mm	3990	3980	4260	4240	4370	4370	4560	4560	4560	4560
C Overall height	mm	5060	5120	5460	5460	5910	5930	5890	5740	6050	5910
D Bucket reach at full boom height	mm	1040	1130	1000	1210	1130	1170	1250	1140	1310	1210
E Digging depth	mm	110	140	90	90	80	80	140	130	130	130
F Ground clearance	mm	340	340	390	390	380	380	420	420	430	430
G Wheel base	mm	2750	2750	2900	2900	3250	3250	3340	3340	3340	3340
H Cab roof height	mm	3270	3270	3380	3380	3380	3380	3460	3460	3460	3460
W Overall vehicle width (without bucket)	mm	2450	2450	2480	2480	2560	2560	2830	2830	2830	2830
L Overall length on ground (with bucket)	mm	7110	7270	7870	8030	8000	8200	8530	8360	8700	8550
Overall length on ground (w/o bucket)	mm	6090	6090	6690	6690	6850	6850	7240	7240	7240	7240
a Departure angle	°	30°	30°	25°	25°	29°	29°	29°	29°	29°	29°
Turning radius (at outer wheel)	mm	5000	5000	5220	5220	5750	5750	6030	6030	6030	6030
Turning radius (at bucket corner)	mm	5670	5670	5920	5940	6520	6590	6870	6810	6890	6850
Full steering angle	°	±40	±40	±40	±40	±40	±40	±40	±40	±40	±40
Bucket rollback @ boom carry position	°	46	51	46	51	43	37	43	43	43	43
Bucket dump @ maximum boom height	°	51	40	46	35	50	51	49	49	49	49

LOADER PERFORMANCE

		Direct	QC	Direct	QC	Direct	QC	Direct	Direct	Direct	Direct
Bucket mount (with bolt-on cutting edge)		Direct	QC	Direct	QC	Direct	QC	Direct	Direct	Direct	Direct
Machine operating weight (w/L3 tires)	kg	11190	11430	12980	13480	14970	15490	18440	18280	20770	20560
Tipping load, straight (rigid tires)	kg	7650	7280	9190	8580	10610	9300	11750	11790	13910	14180
Tipping load, full turn (rigid tires)	kg	6700	6340	7960	7370	9160	7970	10160	10370	11900	12150
Tipping load, straight (deflected tires)	kg	7153	6781	8626	8011	10019	8750	11034	11255	13109	13362
Tipping load, full turn (deflected tires)	kg	6115	5764	7283	6688	8129	7003	8881	9098	10451	10692
Bucket break-out force	daN	7973	6884	11327	9297	14259	11758	15396	17672	16632	18927

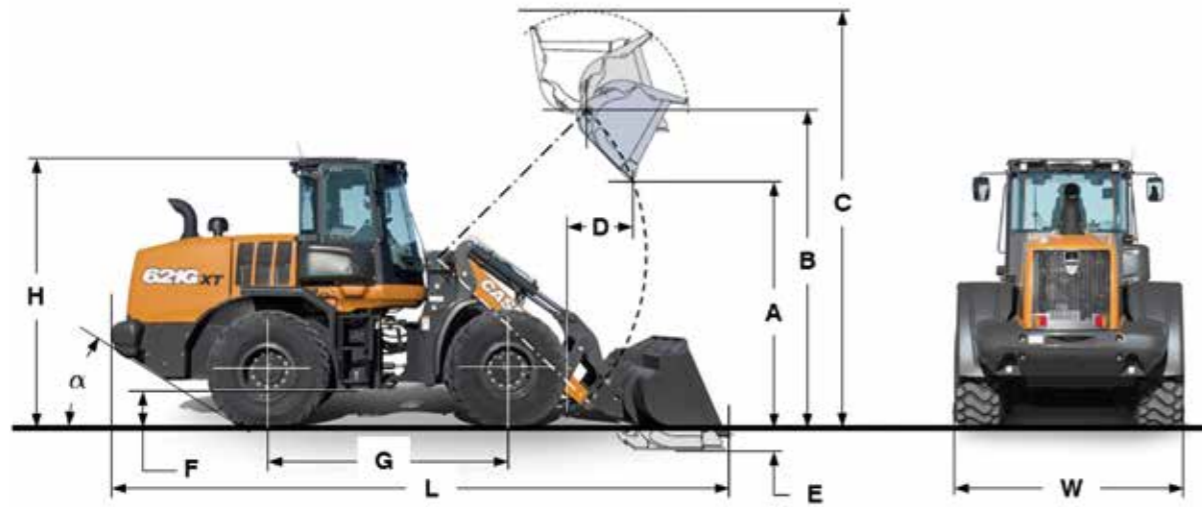
CYCLE TIMES

		521G	621G	721G	821G	921G
Lift (full load)	sec	5.4	5.4	6.3	6.3	5.2
Dump (full load)	sec	1.2	1.2	1.2	1.2	1.2
Lowering (empty, power down)	sec	3.9	3.9	4.4	4.4	2.5
Lowering (empty, float down)	sec	3.9	3.9	4.8	4.8	2.4

Notes: Data given with the following operating condition: Full fluids capacities; Operator on board; Tires: Michelin XHA2 L3 (Standard width); General purpose bucket. Data may be subject to changes without notices

521G - 721G

MAIN SPECIFICATIONS - XT



GENERAL DIMENSION		521G		621G		721G	
		B.O.E.	Teeth + Segm.	B.O.E.	Teeth + Segm.	B.O.E.	Teeth + Segm.
Bucket mount (with bolt-on cutting edge)							
Std GP Bucket Rated Capacity	m ³	1.8	1.7	2.0	2.0	2.7	2.7
Bucket Capacity at 110% Fill Factor	m ³	1.9	1.9	2.2	2.2	3.0	2.9
Bucket overall width	mm	2440	2440	2490	2540	2490	2510
Bucket weight	kg	1050	1080	1255	1285	1634	1693
A Dump height at 45° @ full boom height	mm	2430	2360	2570	2490	2800	2690
B Bucket hinge pin height	mm	3750	3750	3960	3960	4160	4160
C Overall height	mm	4930	4930	5230	5230	5580	5580
D Bucket reach at full boom height	mm	1110	1180	1100	1170	1160	1250
E Digging depth	mm	190	200	180	180	120	140
F Ground clearance	mm	340	340	390	390	380	380
G Wheel base	mm	2750	2750	2900	2900	3250	3250
H Cab roof height	mm	3270	3270	3380	3380	3380	3380
W Overall vehicle width (without bucket)	mm	2450	2450	2480	2480	2560	2560
L Overall length on ground (with bucket)	mm	7120	7220	7780	7880	6520	6520
Overall length on ground (w/o bucket)	mm	5730	5730	6200	6200	5750	5750
a Departure angle	°	30°	30°	25°	25°	29°	29°
Turning radius (at outer wheel)	mm	5000	5000	5220	5220	5750	5750
Turning radius (at bucket corner)	mm	5530	5570	5720	5770	6410	6460
Full steering angle	°	±40	±40	±40	±40	±40	±40
Bucket rollback @ boom carry position	°	52	52	59	59	61	61
Bucket dump @ maximum boom height	°	57	57	50	50	47	47
LOADER PERFORMANCE		521G		621G		721G	
		B.O.E.	Teeth + Segm.	B.O.E.	Teeth + Segm.	B.O.E.	Teeth + Segm.
Bucket mount (with bolt-on cutting edge)							
Machine operating weight (w/L3 tires)	kg	11560	11590	13380	13410	15390	15390
Tipping load, straight (rigid tires)	kg	7260	7250	8940	8930	9890	9820
Tipping load, full turn (rigid tires)	kg	6350	6340	7730	7720	8540	8460
Tipping load, straight (deflected tires)	kg	6743	6870	8301	8286	9230	9158
Tipping load, full turn (deflected tires)	kg	5747	5865	6968	6950	7424	7346
Bucket break-out force	daN	7894	8090	10238	10434	11709	12003
CYCLE TIMES		521G		621G		721G	
Lift (full load)	sec	5.4	5.4	6.3	6.3	5.2	5.2
Dump (full load)	sec	1.2	1.2	1.2	1.2	1.2	1.2
Lowering (empty, power down)	sec	3.9	3.9	4.4	4.4	2.5	2.5
Lowering (empty, float down)	sec	3.9	3.9	4.8	4.8	2.4	2.4

Notes: Data given with the following operating condition: Full fluids capacities; Operator on board; Tires: Michelin XHA2 L3 (Standard width); General purpose bucket. Data may be subject to changes without notices



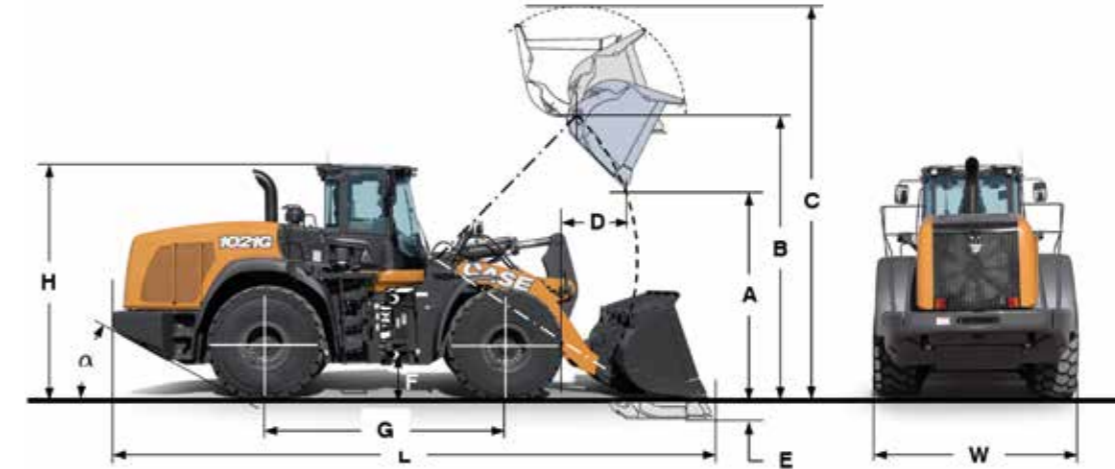
1021G – 1121G

MAIN SPECIFICATIONS

ENGINE	1021G	1121G
Maker & Model	FPT Cursor 9	FPT Cursor 9
No. of cylinders	6	6
Displacement	l 8.7	8.7
Air intake	Turbocharger with air-to-air cooling. No EGR valve is used: only fresh air is taken for combustion and no extra cooling system is needed.	
Injection	m Common Rail Multiple Injection.	
After Treatment System	m HI-eSCR 2 (DOC+SCRoF)	
Emissions Level	m Compliant with EU Stage V	
Maximum power	kW 239	250
Maximum power	hp 320	347
@ Engine speed (ISO 14396)	rpm 1800	1800
Maximum Torque	Nm 1479	1604
@ Engine speed (ISO 14396)	rpm 1100	1100
TRANSMISSION	4-speed ZF Powershift with Auto-Shift system and Intelligent Clutch Cut Off (ICCO)	
Forward 1	km/h 7	7
Forward 2	km/h 13	12
Forward 3	km/h 19	18
Forward 4	km/h 38	38
Reverse 1	km/h 7	7
Reverse 2	km/h 13	13
Reverse 3	km/h 27	25
AXLES	Rear axle oscillation ° 24 24	
Heavy Duty ZF Axles	with open differentials and automatic 100% lock system on the front differential. 100% tractive effort always, no wheel slip, less tire wear.	
TIRES	Standard tire's size 26.5R25 26.5R25	
BRAKES	Service brake ° Maintenance free, self-adjusting wet 4-wheel disc brakes.	
Service brake disc area	m ² /hub 0.74	0.74
Parking brake	With the negative brake all four wheels are automatically stopped when the engine is stopped.	
Parking brake disc area	cm ² 82	82
HYDRAULICS	Loader control valve Bosch-Rexroth, closed center, load sensing/flow sharing. 3 spool main control valve.	
Steering	Steering cylinders actuated by hydraulic orbitrol under priority valve, controlled, in turn, by active load sensing signal.	
Loader controls	Pilot with proportional solenoid valves controlled by electro-hydraulic single joystick or single-axis 2/3 levers.	
Pump type	Tandem, variable displacement.	
Max oil flow	l/min 348	376
@ engine speed	rpm 2000	2000
AUXILIARY HYDRAULIC CIRCUIT	Max oil flow l/min 240 240	
Max pressure	bar 249-255	249-255
FLUIDS CAPACITIES	Fuel tank l 459 459	
DEF (AdBlue®) tank	l 65	65
Engine coolant	l 57	57
Engine oil	l 26	26
Hydraulic oil tank	l 134	134
Total hydraulic system oil	l 250	250
Front and rear axles	l 68+68	68+68
Transmission oil	l 45	45
NOISE AND VIBRATIONS	Inside the cab – LpA (ISO 6396-2008) dB 68 69	
Outside – LwA (2000/14/EC)	dB 105	104
Vibrations	Operator 's seat meets the criteria of ISO 7096:2000. The vibrations transmitted do not exceed 0.5 m/s ²	
CAB PROTECTION	Protection against falling objects (FOPS) According to ISO EN 3449 std.	
Protection against roll-over (ROPS)	According to ISO EN 13510 std.	
ELECTRICAL SYSTEM	System voltage V 24 24	
Batteries	dB 2 x 12 V 2 x 12 V	
Alternator - capacity	A 120 120	

1021G – 1121G

MAIN SPECIFICATIONS



GENERAL DIMENSION	1021G	1121G
Bucket mount (with bolt-on cutting edge)	Z-BAR Flat bottom	Z-BAR 5° bottom
Std GP Bucket Rated Capacity	m ³ 4.4	4.2
Bucket Capacity at 110% Fill Factor	m ³ 4.8	4.6
Bucket overall width	mm 3020	3170
Bucket weight	kg 2320	2140
A Dump height at 45° @ full boom height	mm 2940	3060
B Bucket hinge pin height	mm 4250	4250
C Overall height	mm 5960	5850
D Bucket reach at full boom height	mm 1220	1290
E Digging depth	mm 120	120
F Ground clearance	mm 440	440
G Wheel base	mm 3550	3550
H Cab roof height	mm 3570	3570
W Overall vehicle width (without bucket)	mm 2990	2990
L Overall length on ground (with bucket)	mm 9030	8970
Overall length on ground (w/o bucket)	mm 7550	7550
a Departure angle	° 32°	32°
Turning radius (at outer wheel)	mm 6370	6370
Turning radius (at bucket corner)	mm 7040	7090
Full steering angle	° ±40	±40
Bucket rollback @ boom carry position	° 49	49
Bucket dump @ maximum boom height	° 48	48
LOADER PERFORMANCE	Z-BAR Flat bottom	Z-BAR 5° bottom
Machine operating weight (w/L3 tires)	kg 25760	25590
Tipping load. straight (rigid tires)	kg 21890	22040
Tipping load. full turn (rigid tires)	kg 19010	19160
Tipping load. straight (deflected tires)	kg 20278	20443
Tipping load. full turn (deflected tires)	kg 15993	16176
Bucket break-out force	daN 18701	19613
CYCLE TIMES	Z-BAR Flat bottom	Z-BAR 5° bottom
Lift (full load)	sec 6.2	6.2
Dump (full load)	sec 1.3	1.3
Lowering (empty. power down)	sec 2.8	2.8
Lowering (empty. float down)	sec 2.6	2.6

Notes: Data given with the following operating condition: Full fluids capacities; Operator on board; Tires: Michelin XHA2 L3 (Standard width); General purpose bucket. Data may be subject to changes without notices

BUILDING A STRONG CASE.

Since 1842, at CASE Construction Equipment we have lived by an unwavering commitment to build practical, intuitive solutions that deliver both efficiency and productivity.

We continually strive to make it easier for our customers to implement emerging technologies and new compliance mandates.

Today, our global scale combined with our local expertise enables us to keep customers' real-world challenges at the center of our product development.

The vast CASE dealers' network is always ready to support and protect your investment and exceed your expectations, while also providing you with the ultimate ownership experience.

Our goal is to build both stronger machines-and stronger communities. At the end of the day, we do what's right for our customers and our communities so that they can count on CASE.

CNH Industrial
Deutschland GmbH
Case Baumaschinen
Benzstr. 1-3 - D-74076 Heilbronn
DEUTSCHLAND

CNH Industrial France, S.A.
16-18 Rue des Rochettes
91150 Morigny-Champigny
FRANCE

CASE Construction Equipment
Cranes Farm Rd
Basildon - SS14 3AD
UNITED KINGDOM

CNH Industrial
Maquinaria Spain, S.A.
Avenida Aragón 402
28022 Madrid - ESPAÑA

CNH Industrial Italia Spa
via Plava, 80
10135 Torino
ITALIA

NOTE: Standard and optional fittings can vary according to the demands and specific regulations of each country. The illustrations may include optional rather than standard fittings - consult your Case dealer. Furthermore, CNH Industrial reserves the right to modify machine specifications without incurring any obligation relating to such changes.

Conforms to directive 2006/42/EC

CASECE.COM
00800-2273-7373

The call is free from a land line.
Check in advance with your Mobile Operator if you will be charged. Toll free number not available from all calling areas.

