



## TECHNICAL DATA

### MASSES

Max. operating mass	3900 kg
Operating mass (incl. ROPS)	3750 kg
Module mass (front/rear)	1930 kg/1820 kg

### COMPACTION

Wheel load	455 (kg/wheel)
Tyre type (smooth)	10.5/80-16
Centrifugal force	33 kN (V2203) /36 kN (D1803)
Nominal amplitude	0.5 mm
Static linear load	14.8 kg/cm
Vibration frequency	52 Hz (V2203) /53 Hz (D1803)
Water tank	200 l
Emulsion tank	40 l

### TRACTION

Speed range	0-10 km/h
Max. theoretical gradeability	37 %

### ENGINE

Manufacturer/Model	Kubota V2203-M (IIIA)
Type	Water cooled diesel engine
Rated power, SAE J1995	33 kW (44 hp) @ 2600 rpm
Fuel tank capacity	50 l

### ENGINE

Manufacturer/Model	Kubota D1803-CR-TE4B(T4f)
Type	Water cooled diesel engine

### ENGINE

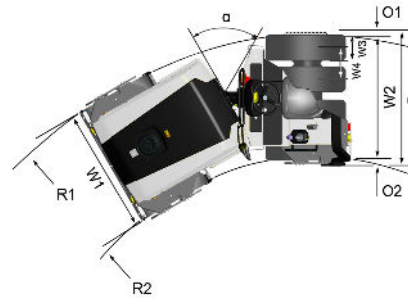
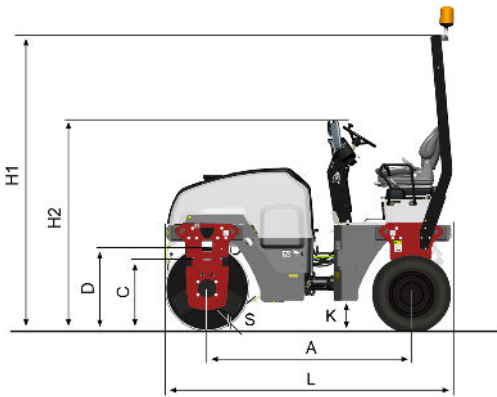
Manufacturer/Model	Kubota D1803-CR-TE5B(StageV)
Type	Water cooled diesel engine
Rated power, SAE J1995	37 kW (49 hp) @ 2700 rpm

### HYDRAULIC SYSTEM

Driving	Axial piston pump with variable displacement. Radial piston motors (3) with constant displacement.
Vibration	Gear pump/motors with constant displacement.
Steering	Gear pump with constant displacement.
Service brake	Hydrostatic in forward and reverse lever.
Parking/ Secondary brake	Failsafe multidisc on drum and wheel motors.

Find us locally at [www.dynapac.com](http://www.dynapac.com)

We reserve the right to change specifications without notice. Photos and illustrations do not always show standard versions of machines. The above information is a general description only, all information's are supplied without liability.



## TECHNICAL DATA

### DIMENSIONS

A. Wheelbase	1925 mm
B. Width	1370 mm
C. Curb clearance	600 mm
D. Drum diameter	802 mm
H1. Height, with ROPS	2750 mm
H2. Height, w/o ROPS/cab	1855 mm
K. Ground clearance	260 mm
L. Length	2725 mm
O1. Overhang, right	44 mm
O2. Overhang, left	44 mm
R1. Turning radius, outside	4240 mm
R2. Turning radius, inside	2940 mm
S. Drum shell thickness	16 mm
W1. Drum width	1300 mm
W2. Width, wheel module	1282 mm
W3. Width, tyre	285 mm
W4. Wheel track	305 mm
α. Steering angle	±30°

### OPTIONAL EQUIPMENT

- 3" seatbelt
- Biodegradable hydraulic fluid
- Cert. Fire protection (SBF 127)
- Decal risk location (GOST)
- Driving lights (right and left handed). Dual forward/reverse control
- Fire extinguisher, Flow divider
- Foot rest
- Hearing protectors
- Licence plate light
- Rear view mirror (traffic view)
- Rotating beacon(ignition controlled)
- Service kit 50/500/1000H
- Side direction lights (driving lights required)
- Slide lux seat
- Slow moving vehicle sign
- Special color (one or two)
- Spring loaded scrapers
- Tool set
- Towing eyelet
- Water tank cover(lockable)

Find us locally at [www.dynapac.com](http://www.dynapac.com)

We reserve the right to change specifications without notice. Photos and illustrations do not always show standard versions of machines. The above information is a general description only, all information's are supplied without liability.