

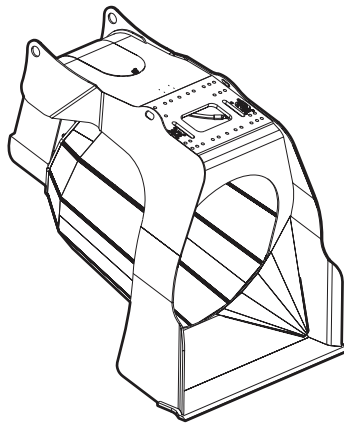
# BS 2200

---

## Spare parts list

### Bucket screener

BS 2200 s/n DEQ199179 -



# General information

This spare parts list applies to the following:

Part number	Description
3363123620	Bucket screener BS 2200 with basket 20 mm
3363123621	Bucket screener BS 2200 with basket 30 mm
3363123622	Bucket screener BS 2200 with basket 40 mm
3363123623	Bucket screener BS 2200 with basket 50 mm
3363123624	Bucket screener BS 2200 with basket 60 mm
3363123625	Bucket screener BS 2200 with basket 80 mm

Use only authorized parts. Any damage or malfunction caused by the use of unauthorized parts is not covered by Warranty or Product Liability. Any unauthorized use or copying of the contents or any part thereof is prohibited. This applies in particular to trademarks, model denominations, part numbers, and drawings.

## Instructions for use

This spare parts list contains no safety regulations and is merely intended to assist in the ordering of spare parts.

For information about operating, servicing, or repairing, the relevant Safety and operating instructions must be consulted at all costs.

Please observe the safety instructions listed in the relevant Safety and operating instructions!

## Instructions for ordering

It is essential to indicate the serial number of the hydraulic attachment when ordering spare parts!

Please note the full identification number of your hydraulic attachment.

Determine the quantity of individual parts which are required and need to be ordered. The order must indicate the following details:

- full identification code of the hydraulic attachment
- required quantity
- part number
- description

**Service, repair and wear part kits**

Kit list ..... 1

**Mechanical**

Bucket ..... 3  
Driving components ..... 6  
Inner hydraulic hoses ..... 9  
Tightening torques ..... 11  
Dimensions ..... 13

**Options / accessories**

Hydraulic hoses ..... 14  
Optional equipment 1 ..... 17  
Optional equipment 2 ..... 19

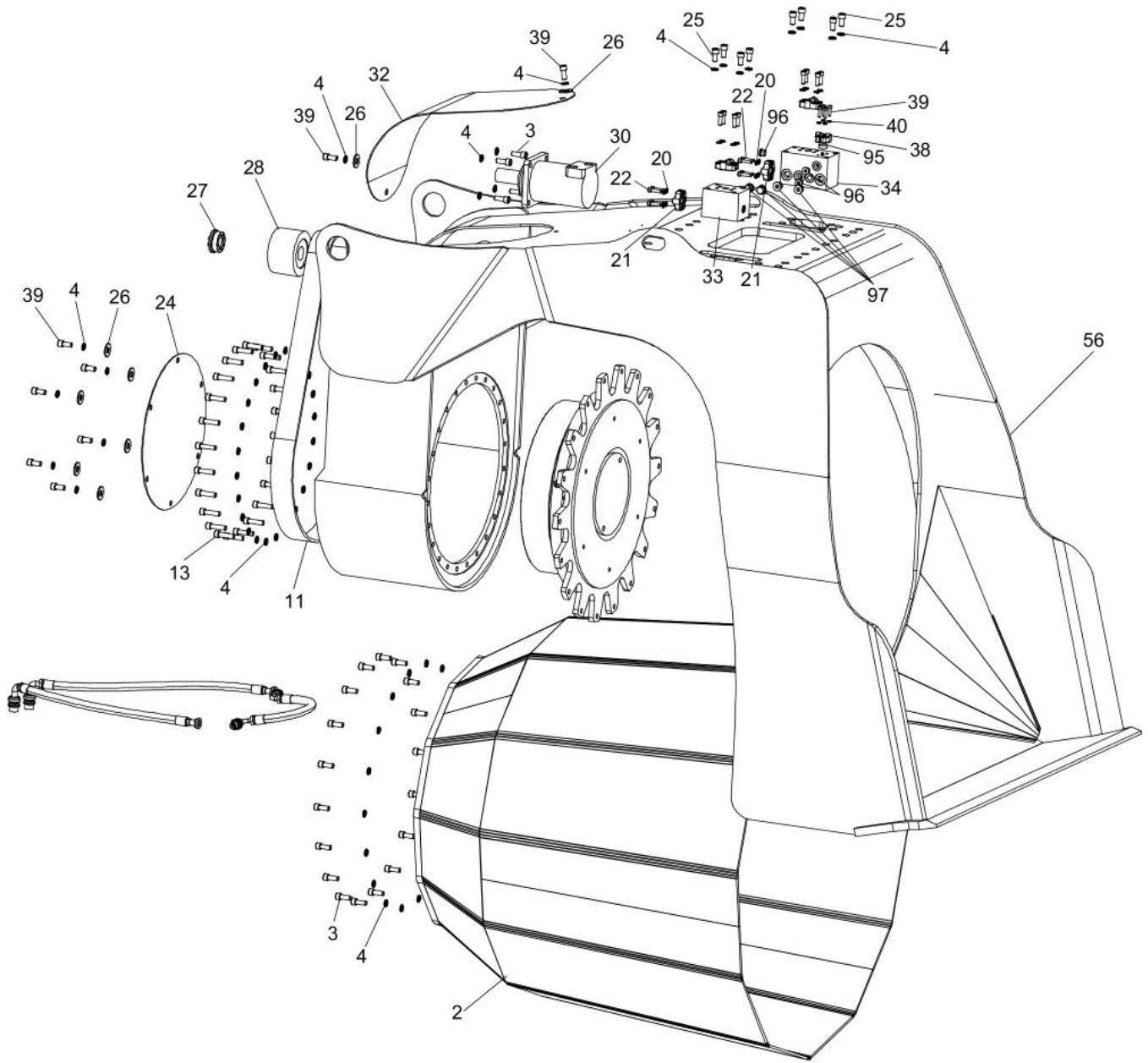


Service, repair and wear part kits Kit list

NO EXPLODED VIEW  
AVAILABLE  
FOR THIS BOM

Item	Part No.	Name	Qty	L
KIT	3363124359	Label kit	1	

Mechanical Bucket



Refer to the DocMine web page for most up-to-date information. The printed information might be outdated.  
 Thu Mar 25 09:55:37 UTC 2021

Item	Part No.	Name	Qty	L
2	3363123632	Basket	1	A
2	3363123633	Basket	1	B
2	3363123634	Basket	1	C
2	3363123635	Basket	1	D
2	3363123636	Basket	1	E
2	3363123637	Basket	1	F
3	3363118444	Allen screw	22	
4	3361333703	Pair of lock washers	56	
11	3363124190	Timing belt	1	
13	3376100929	Allen screw	18	
20	3361850745	Pair of lock washers	8	
21	3360995664	Flange half	8	
22	3363118433	Allen screw	8	
24	3363124221	Motor cover	1	
25	3363124581	Allen screw	8	
26	3363124193	Washer	8	
27	3363124194	Conical attachment	1	
28	3363124195	Gear	1	
30	3363124196	Hydraulic motor	1	
32	3363124213	Curved cover	1	
33	3363118408	Valve block	1	G
34	3363118409	Valve block	1	H
38	3363124198	Flange half	2	
39	3363124583	Allen screw	4	
40	3361850743	Pair of lock washers	4	
42	3363124584	Hexagonal head bolt	12	
43	3361850747	Pair of lock washers	12	
44	3363118382	Allen screw	8	
56	3363124214	Bucket	1	
95	3363124200	Plug	1	
96	3360478441	Plug	3	
97	3363106875	Plug	4	

Comments for Page: Bucket

A | Hexagonal mesh 20 mm (0.79 in.)

B | Hexagonal mesh 30 mm (1.18 in.)

C | Hexagonal mesh 40 mm (1.57 in.)

Refer to the DocMine web page for most up-to-date information. The printed information might be outdated.

Thu Mar 25 09:55:38 UTC 2021



D | Hexagonal mesh 50 mm (1.97 in.)

E | Hexagonal mesh 60 mm (2.36 in.)

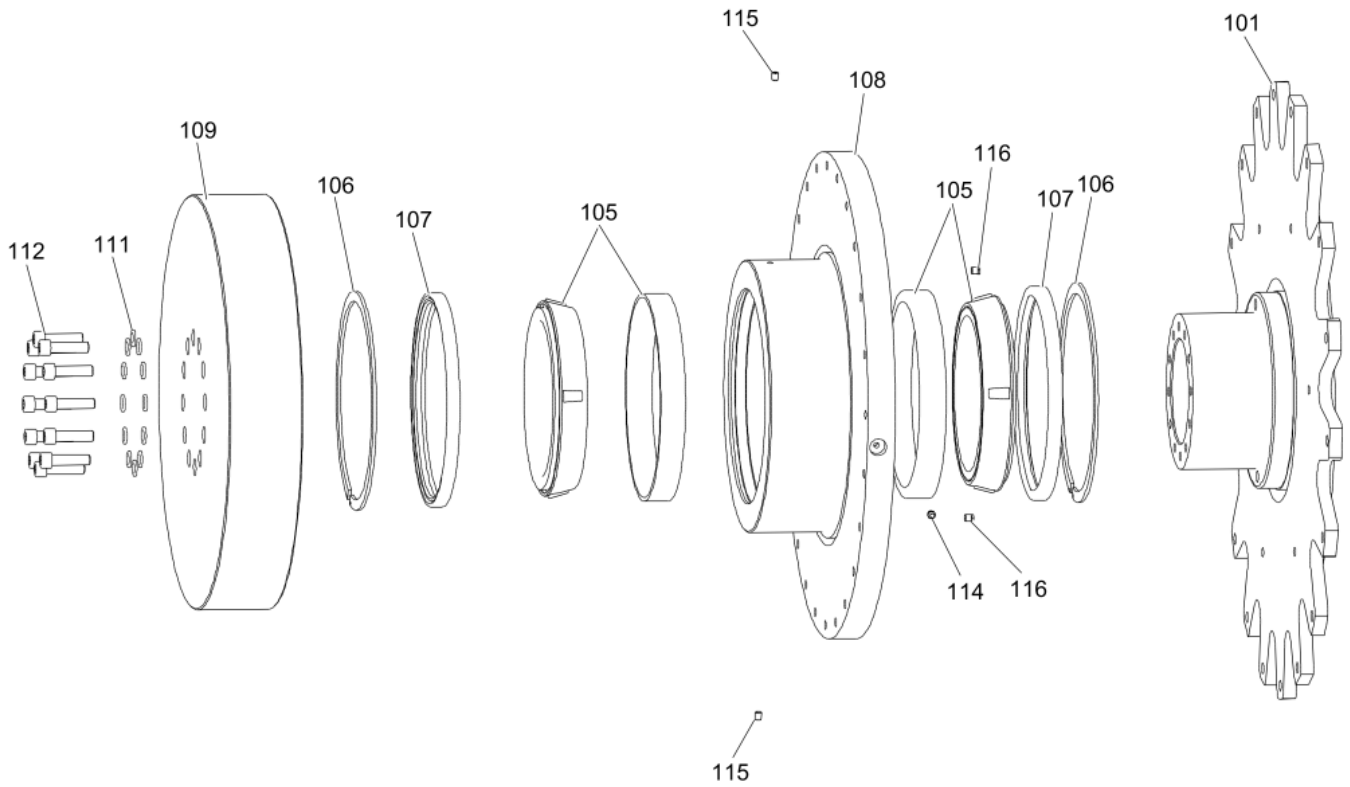
F | Hexagonal mesh 80 mm (3.15 in.)

G | Working valve block

H | Return valve block

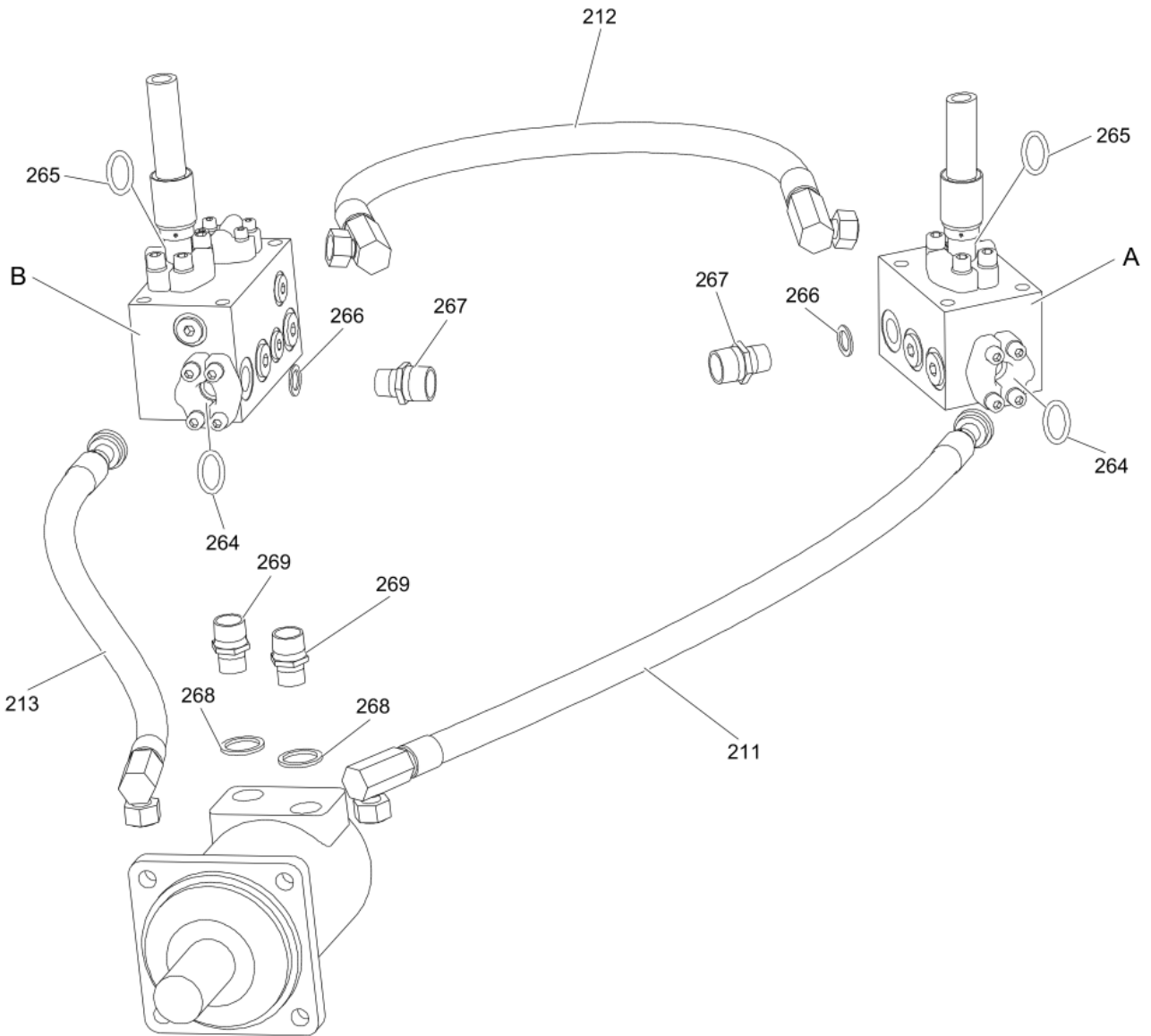
This page intentionally left blank

Mechanical Driving components



Item	Part No.	Name	Qty	L
101	3363124215	Crown	1	
102	3363124202	Seal	2	
105	3363124203	Tapered roller bearing	2	
106	3363124204	Circlip	2	
107	3363124205	Seal	2	
108	3363124216	Outer bearing	1	
109	3363124217	Pulley	1	
111	3361333703	Pair of lock washers	12	
112	3363124208	Allen screw	12	
114	3360209834	Grease nipple	1	
115	3363124209	Allen blind bolt	2	
116	3363124576	Breather	2	

Mechanical Inner hydraulic hoses



Item	Part No.	Name	Qty	L
211	3363124218	Hydraulic hose	1	
212	3363124219	Hydraulic hose	1	
213	3363124220	Hydraulic hose	1	
264	3363087665	O-ring	2	
265	3360314370	O-ring	2	
266	3363124577	Washer	2	
267	3363124578	Nipple	2	
268	3363124579	Washer	2	
269	3363124580	Nipple	2	

Comments for Page: Inner hydraulic hoses

A | Working valve block

B | Return valve block

Mechanical Tightening torques

NO EXPLODED VIEW  
AVAILABLE  
FOR THIS BOM

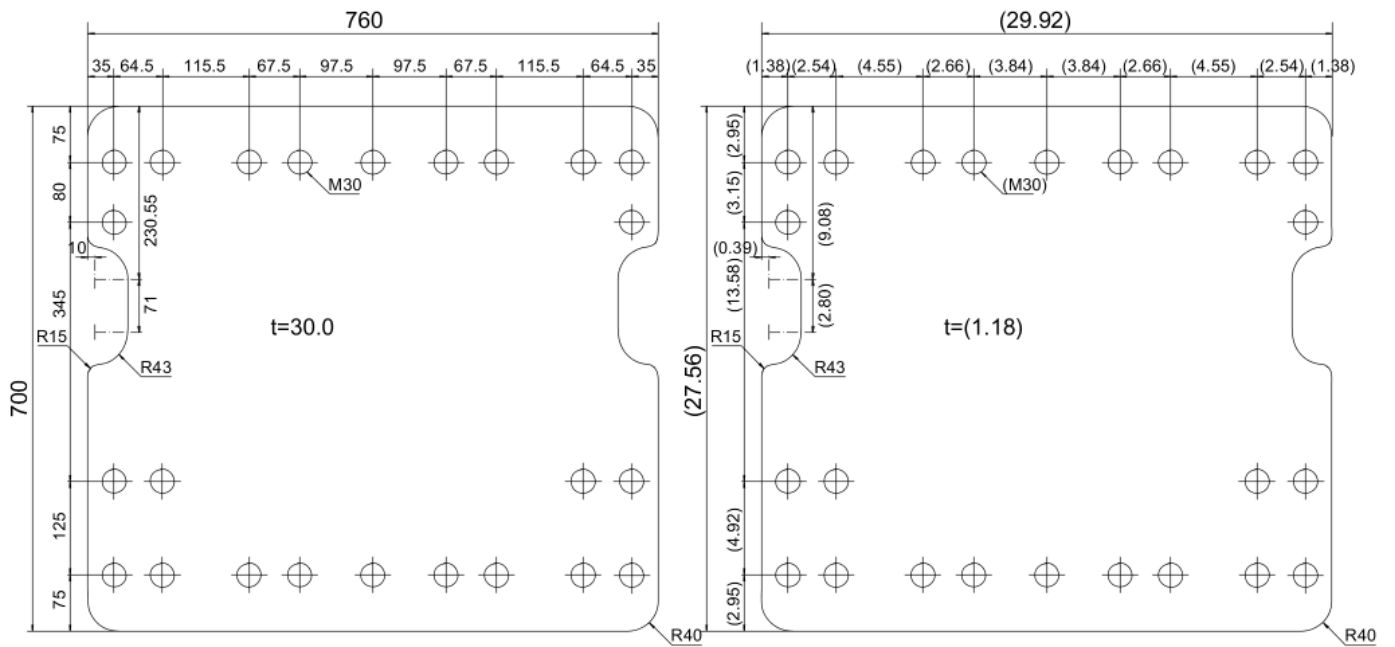
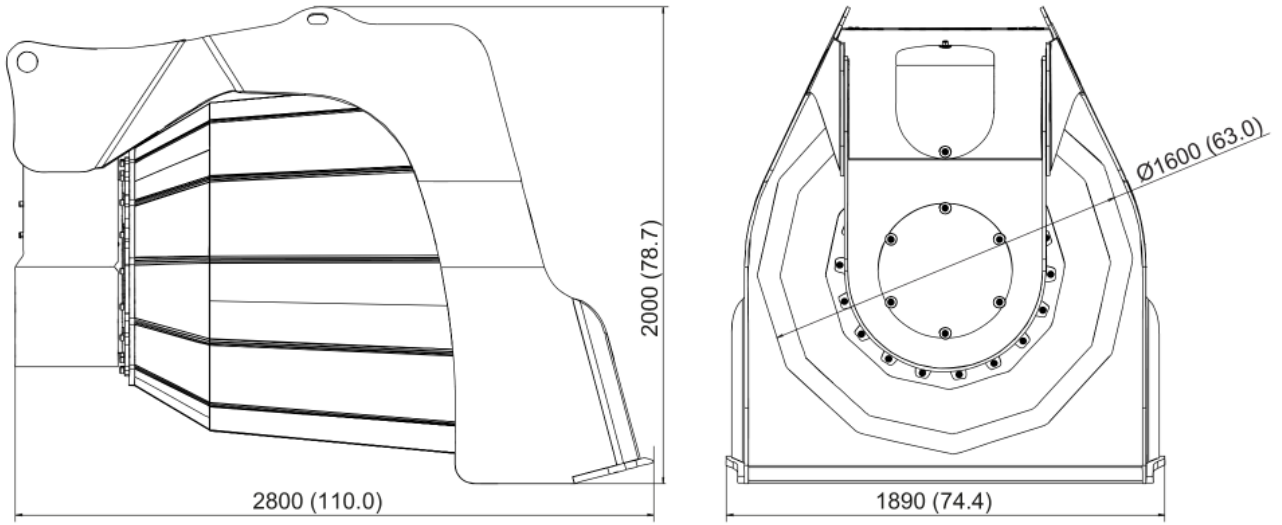
Item	Part No.	Name	Qty	L
3	-	Allen screw - 290 Nm (214 ft lbf)		
13	-	Allen screw - 290 Nm (214 ft lbf)		
22	-	Allen screw - 68 Nm (50 ft lbf)		
25	-	Allen screw - 290 Nm (214 ft lbf)		
39	-	Allen screw - 35 Nm (26 ft lbf)		
42	-	Hexagonal head bolt - 1935 Nm (1427 ft lbf)		
112	-	Allen screw - 290 Nm (214 ft lbf)		
114	-	Grease nipple - 8 + 2 Nm (6 + 1 ft lbf)		
115	-	Allen blind bolt - 68 Nm (50 ft lbf)		
116	-	Breather - 68 Nm (50 ft lbf)		

Comments for Page: Tightening torques

The above tightening torques are for dry bolts. If the threads are lubricated before assembly reduce the tightening torque setting by 10%.



Mechanical Dimensions



Refer to the DocMine web page for most up-to-date information. The printed information might be outdated.  
Thu Mar 25 09:55:40 UTC 2021

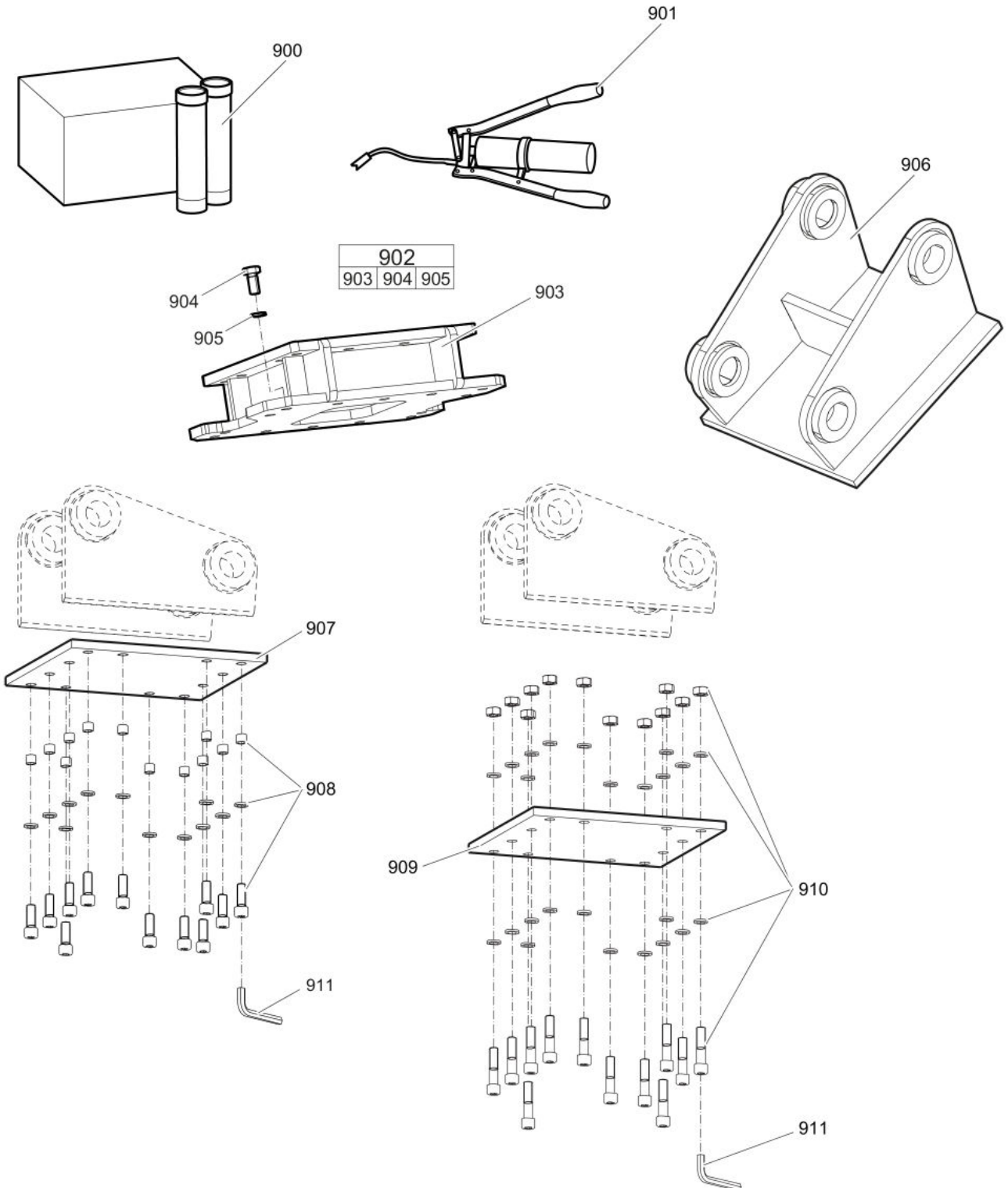
This page intentionally left blank

Options / accessories Hydraulic hoses

NO EXPLODED VIEW  
AVAILABLE  
FOR THIS BOM

Item	Part No.	Name	Qty	L
-	3363118027	Hydraulic hose with flange, I.D. 25 mm , flange SAE 45° 1" 6000 PSI / M42 x 2 conical seal 24°, length 2300 mm (91 in.)	2	

Options / accessories Optional equipment 1



Refer to the DocMine web page for most up-to-date information. The printed information might be outdated.  
Thu Mar 25 09:55:42 UTC 2021

Item	Part No.	Name	Qty	L
900	3363122250	Free flow grease cartridge, 12 x 400 g (0.88 lb)	1	A
901	0909107100	LUBRICAT.GUN	1	
902(903-905)	3363118484	Intermediate plate complete	1	B
903		Intermediate plate	1	
904	3363089342	Hexagonal head bolt	14	
905	3361850747	Pair of lock washers	14	
906		Adapter plate matching the carrier. Consult the authorized Customer Center/Dealer in your area.	1	
907	3363099795	Base plate with threaded inserts	1	C
908	3363087306	Bolt kit	1	
909	3363100699	Base plate with through borings	1	C
910	3363094579	Bolt kit	1	
911	3360209445	Allen key (22 mm)	1	

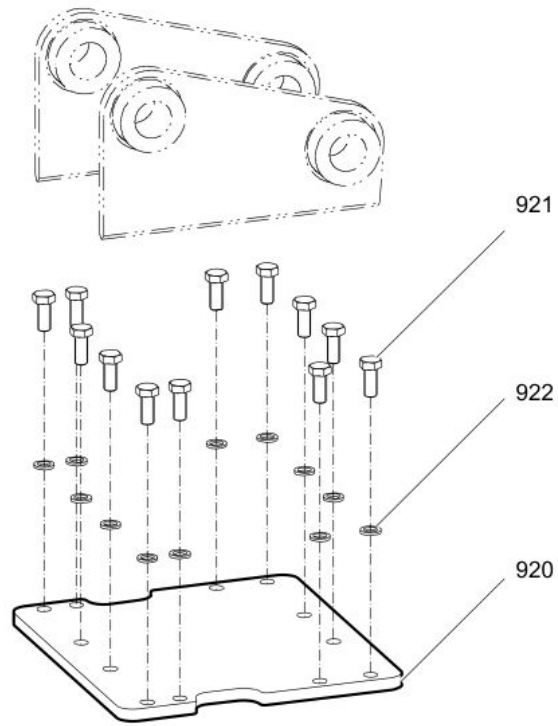
Comments for Page: Optional equipment 1

A | Epiroc Free flow grease

B | Hole pattern suitable for bucket screener and base plates

C | Hole pattern suitable for intermediate plate

Options / accessories Optional equipment 2



Item	Part No.	Name	Qty	L
920	3363124371	Base plate with through borings	1	A
921	3363089342	Hexagonal head bolt	12	
922	3361850747	Pair of lock washers	12	

Comments for Page: Optional equipment 2

A | Hole pattern suitable for bucket screener









Any unauthorized use or copying of the contents or any part thereof is prohibited.  
This applies in particular to trademarks, model denominations, part numbers, and drawings.